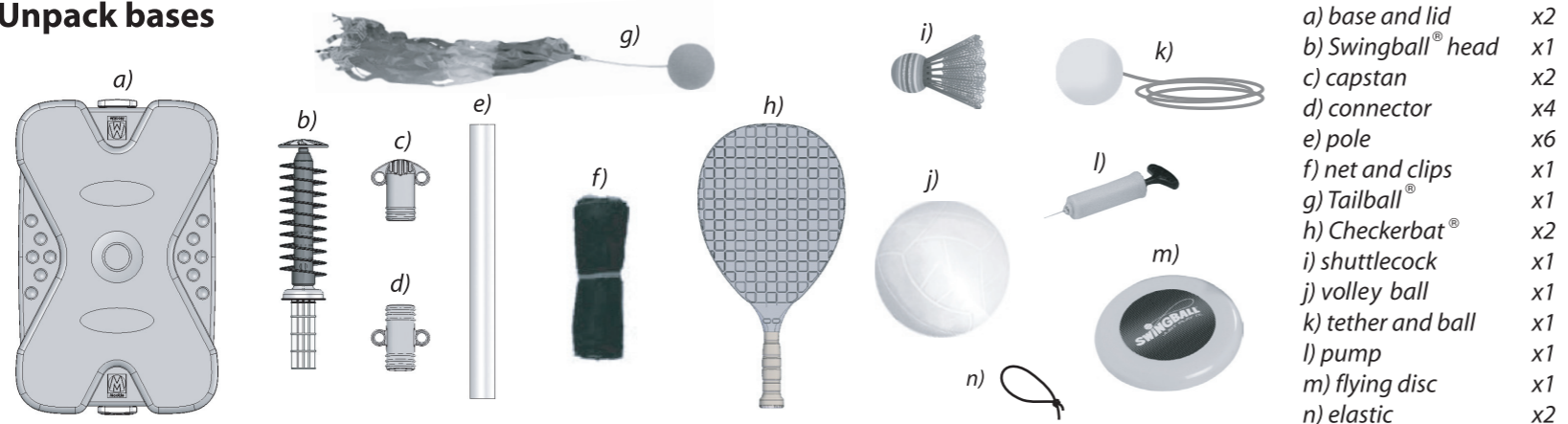
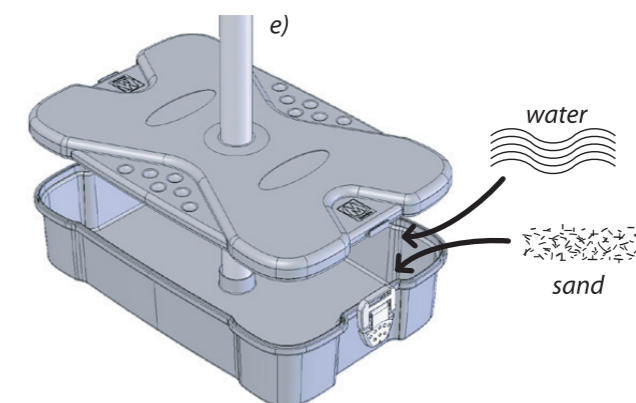


1 Unpack bases



2 Fill one base with sand, water or similar ballast

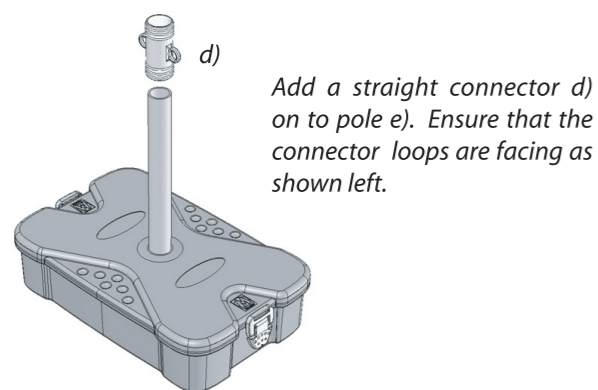


Unclip the lid on the base a) and fill the base with the chosen ballast.

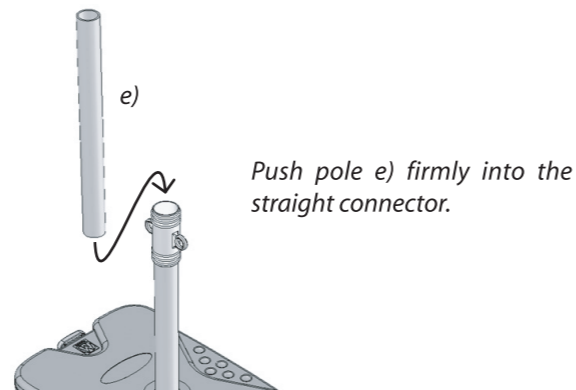
If you use sand as ballast ensure you first insert pole e) into the base.

Once full of ballast, clip the lid back onto the base.

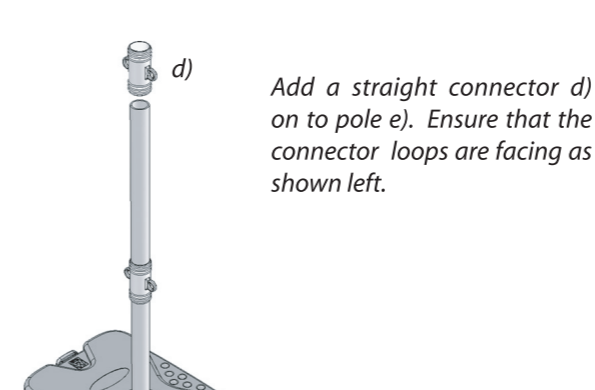
3 Add a straight connector



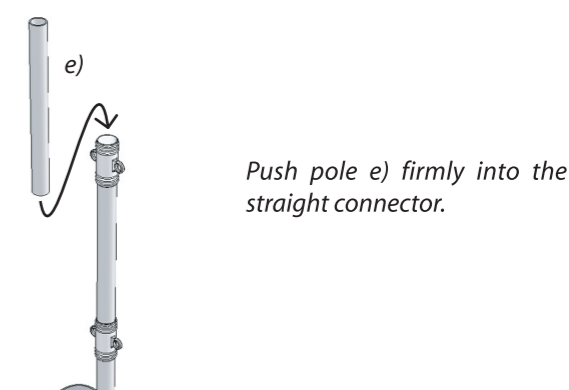
4 Add a pole



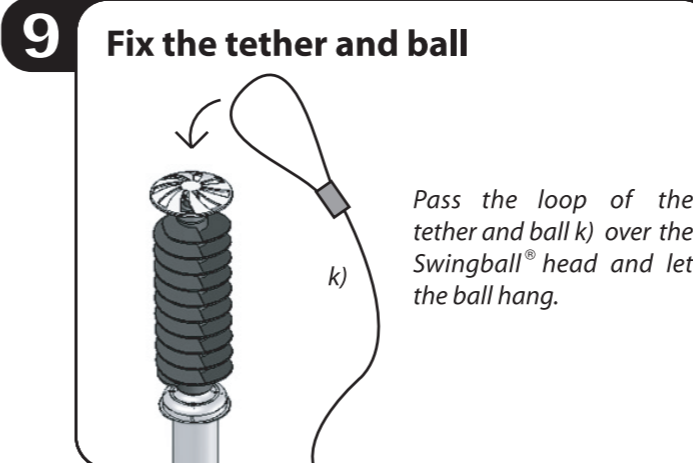
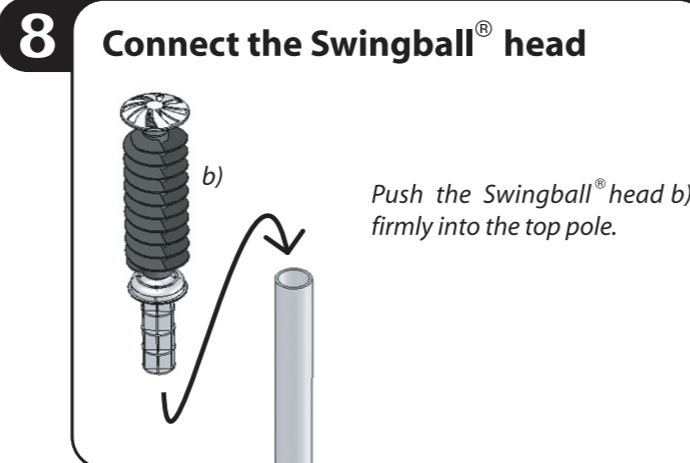
5 Add another straight connector



6 Add another pole



PLEASE NOTE:
If you are wanting to assemble the set as a net, please skip directly to step 11.
Else follow on to step 8 to assemble the Swingball[®] game.



10 Play First Swingball[®]

Your First Swingball[®] is now ready to play. Reverse the steps to pack the Swingball[®] away.
NB; To reduce the height of the Swingball[®], remove one of the poles and one straight connector.

11 Fit capstan

Push the capstan c) firmly over the end of the pole.
Ensure that the connector loops are facing as shown left.
Next repeat steps 2 to 6 so that you have two identical pole and base assemblies. Then go to the next step.

12 Position assemblies

Position the two assemblies as shown.
net length

13 Fix the net

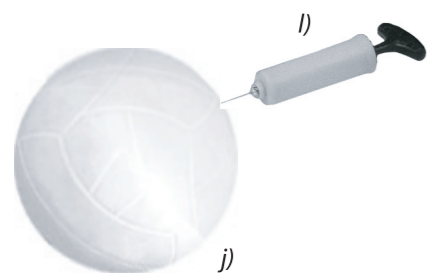
Unfold the net f) and clip it to the capstan and the top straight connector with the clips provided.
Feed elastic through a connector and attach to the lower net clip.
Mirror this step for the other end of the net.

14 Play First Swingball[®] net game

Your First Swingball[®] net is now ready to play with. Reverse the steps to pack the net away.
NB; To reduce the height of the net, remove one of the poles and one straight connector on each base. To increase tension on the net, move the bases further apart.

15

Volley ball



First moisten the needle on pump l) before inserting it into the volley ball j).

Do not over inflate.

Help

If you are experiencing problems with this product, please visit our website www.mookie.co.uk for assistance, advice and spare parts.

You can also contact our helpline on 01525 722716 2pm - 5pm weekdays.

This product will last longer if not left exposed to direct sunlight for long periods of time.

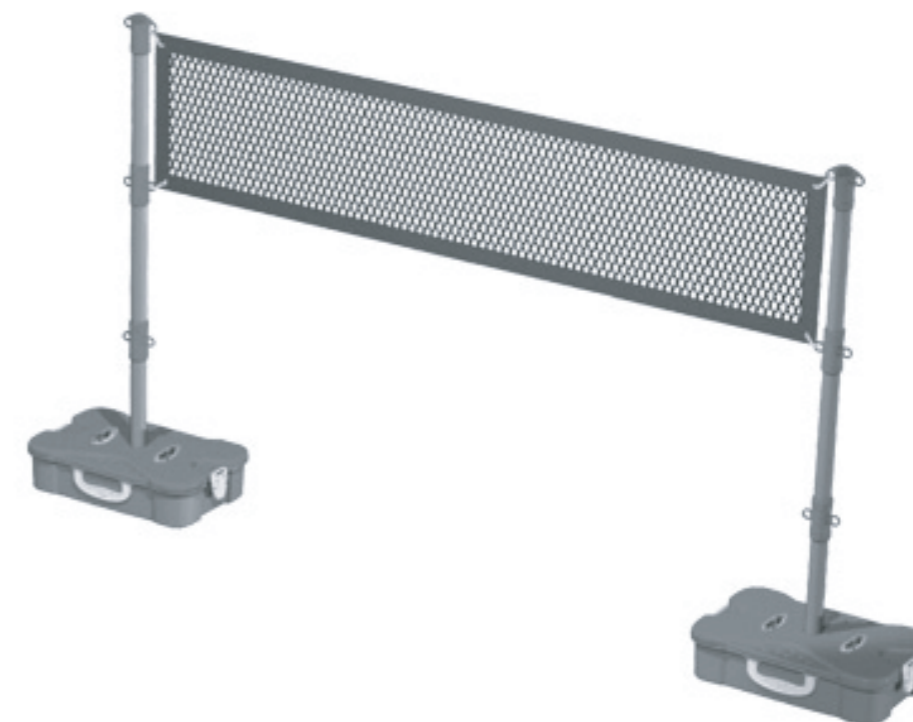
This product is covered by UK Patent No. GB2,354,018, EPO Patent Application No. 02783364.9 and EPO Patents No. 1,214,488, 0,819,451, 0,882,476. US Patents No. 6,545,459, 6,328,665, 6,733,405, 5,961,404 and 5,813,931. Other patents pending and corresponding patents in other countries also apply. All rights in and to this product, including its configuration and colour combinations; the names TAILBALL, SHORTCOURT TAILBALL, SUPER 15, TAILSET, FUN! (as depicted), BIG FACE, CHECKERBAT, CHECKERBASE, NETSET, COURTSIZE, ALL SURFACE, SWINGBALL, the slogans 'WHACKIT & SMACKIT' and 'FUN!' and the quadarm and roundel design on the ball, all being trade marks or brand names, registered or unregistered, are owned by, and used under licence from, European Sports Merchandising B.V., Strawinskylaan 259, 1077 XX, Amsterdam, The Netherlands. The names "TAILBALL™" and "SHORTCOURT TAILBALL" are brand names relating to any ball with streamers attached ie. a streamerball, or any sport or game played with a streamerball.

© 2005. All rights reserved European Sports Merchandising B.V.

First



Centre



Assembly instructions

